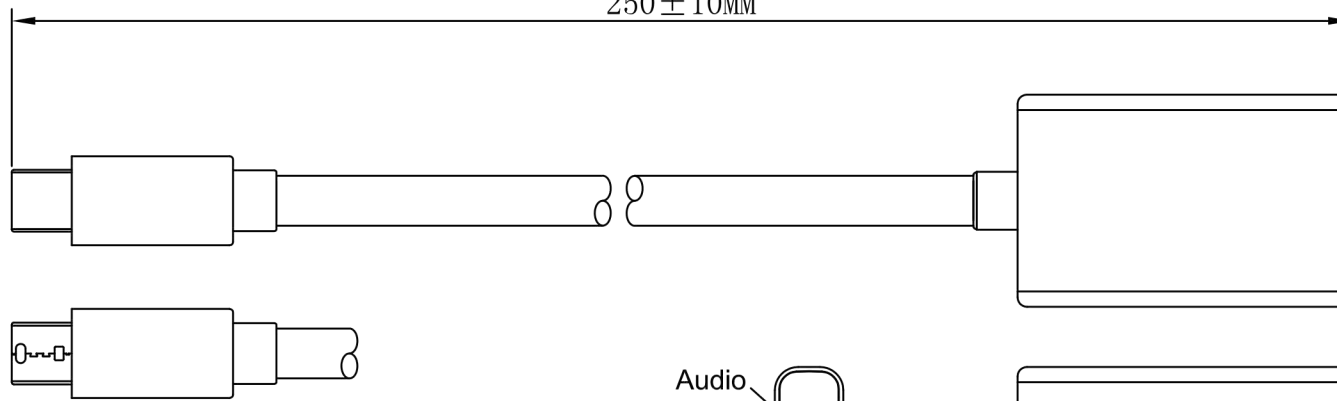
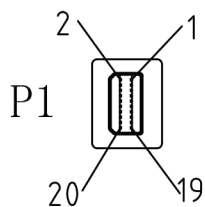


RoHS Compliant

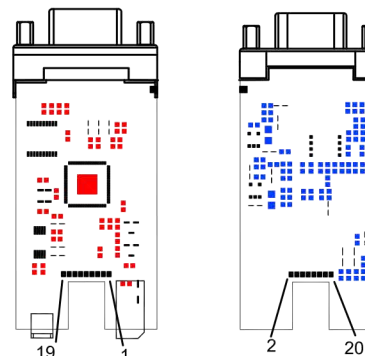
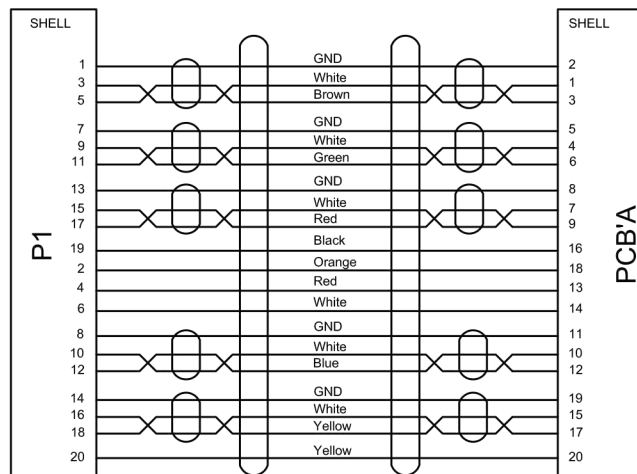
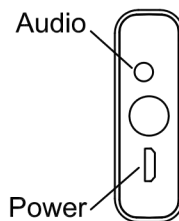
REV	DESCRIPTION OF CHANGE	DATE
A0	INITIAL RELEASE	2014-05-06

250 ± 10MM



HDB-15 FEMALE
PLASTIC: BLUE

P2



PCB'A
IC:LT8711

5	PVC	PVC-0002	60P PVC White	2.00g
4	PE	PE-0001	LDPE (RoHs)	1.55g
3	Case	SL-WH0207	VGA White ABS Front Cover	1 Pcs
	Connector	XY-C224-111-G	DP TO VGA F+ Micro USB B/F + AUDIO PCB'A, Gold plated	1 Pcs
2	Case	SL-WH0124	MINI DP White ABS Front Cover	1 Pcs
	Connector	CN-G0001	Mini DP M, Gold plated	1 Pcs
1	Cable	DP0-50-32103	UL20276(32AWG*1P+D+AL/MY)*5C+32AWG*5C+MY/AL+BRAID(AMA), JACKET PVC White. OD=5.5±0.20mm	1 Pcs
NO.	Material name	Item number	Specifications Description	Quantity

图号 (DWG NO)	XY-A1386	单位 (UNIT)	MM	
版次 (REV)	A0	比例 (SCALE)	任意	
页次 (PAGE)	1/1			
设计 (DESIGN)	Dean	<small> DIMENSIONS ARE IN MILLIMETERS TOLERANCES: LINEAR: X ± 1.0 X.2 ± 0.5 X.3X ± 0.15 X.3XX ± 0.05 ANGULAR: ± 0.5° </small>	TITLE	DP-VGA 14
审核 (CHECKED)			PART NO	
核准 (APPROVED)				