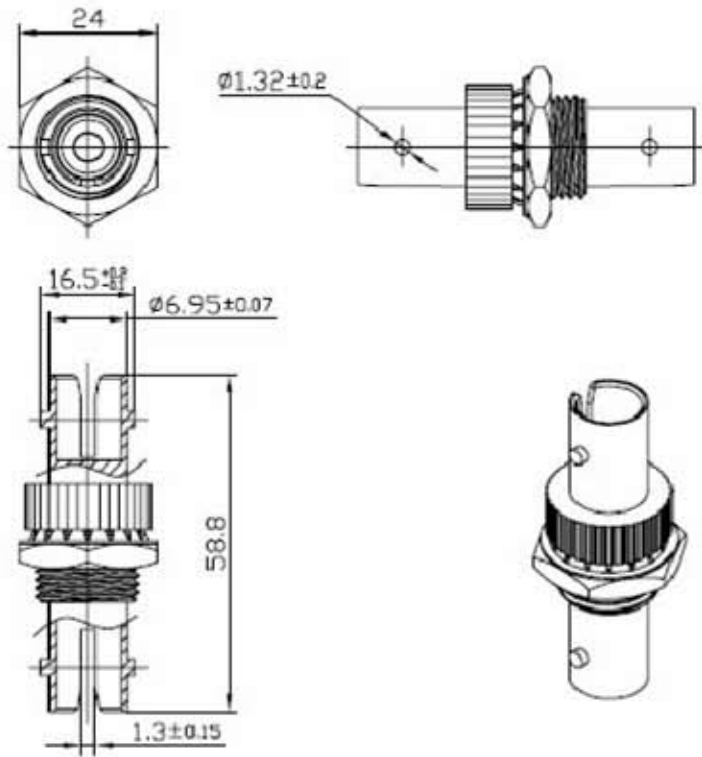




RevNo	Revision note	Rev-By	RevDate	Signature	Checked

OPTIC FIBER ADAPTER - ST TYPE



ITEM NO.	ST-ST-SM-CE			
CUSTOMER NO.	XXXX			
DESIGNED BY ALEX	DATE	120912	UNIT	MM
	SCALE	xx	VER.	1
NO.	Checked by			
APPR:			Approved by -date	

