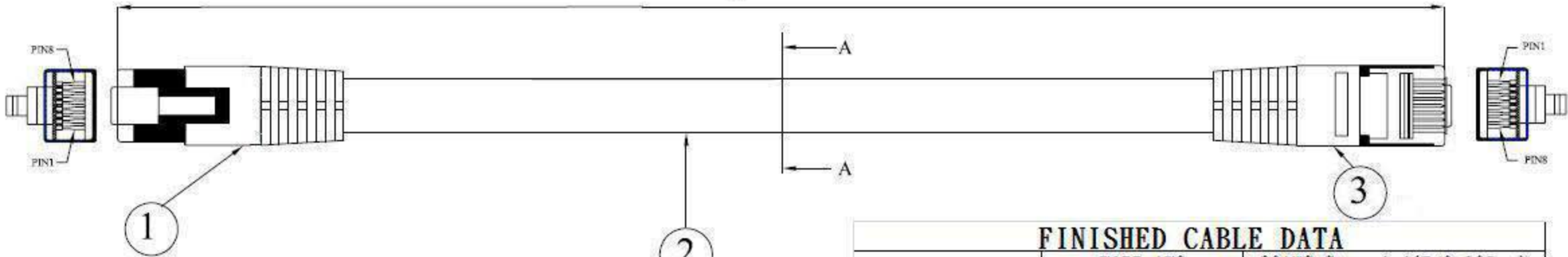
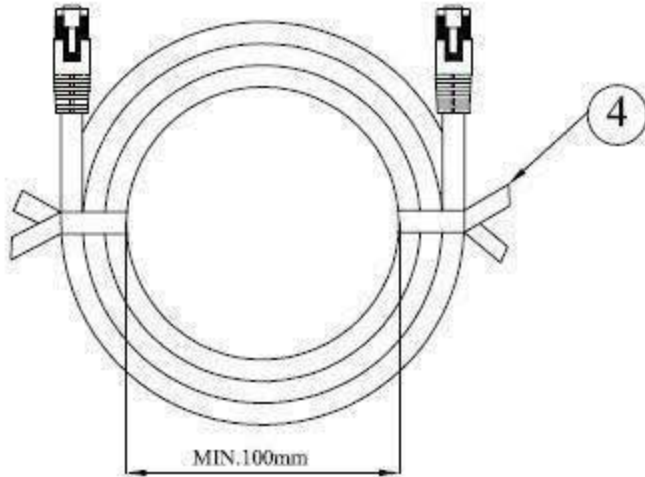


Length ±10 M



**CABLE BINDING SPECIFICATION**

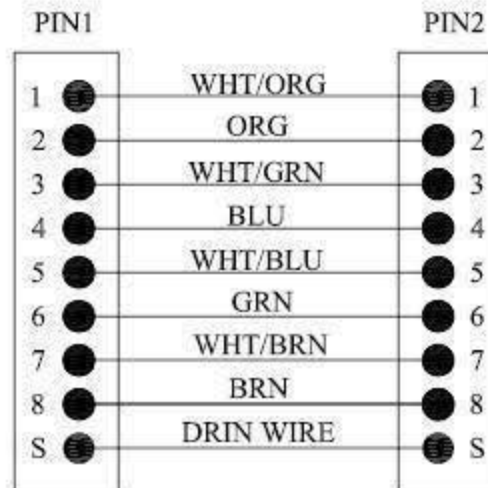
NOTE : EACH CABLE PACKED IN A PE BAG



**SECTION A-A**



**T568B WIRING DIAGRAM**



**FINISHED CABLE DATA**

<b>CONDUCTORS</b>	WIRE AWG	26AWG Stranded(7/0.165mm)
	MATERIAL	COPPER
	PLATING	BARE COPPER
<b>INSULATION</b>	MATERIAL	POLYOLEFIN
	OVERALL DIAMETER	0.89(mm) ±0.02
<b>CENTRAL ELEMENT</b>	TYPE	PE CROSS SEPARATOR
<b>DRAIN WIRE</b>	WIRE AWG	Starnded(7/0.16mm)
	MATERIAL	TINNED BARE COPPER
<b>SHIELD</b>	MATERIAL	AL/FOIL POLYSTER
	MATERIAL	ALU/MYLAR FOIL
<b>JACKET</b>	THICKNESS	min 0.47mm
	OVERALL DIAMETER	6.19mm ±0.2
	COLOR	GREY(071)

NO.	DESCRIPTION	MATERIAL	FINISH	Q'TY	PART NO.
1	50U"RJ45 PLUG (SHIELDED)	PC		2	06-PO-88501
2	CABLE	PE/PVC	CAT.6	1	66204
3	MOLDING S.R.	PVC		2	06-SR-60XX6
4	MAGIC BAND	PVC		2	06-MG-0010

PRINTING:

Delta△SupremeNet△250△66204△4PAIRS△26AWG△FTP△GIGABIT△PATCH△CABLE△

	CUSTOMER DRAWING				
	STP-610	DWN	IRIS		
ITEM	AWG*4P UTP CAT 6 PATCH CORD	CHK	KEN		
DWG NO.		APVD	JIM FAN		
		DMENSION	N/A		
SCALE	N/A	SIZE	A4	SHEET	1/1
		REV	1.0		