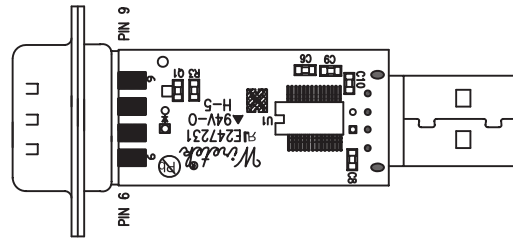
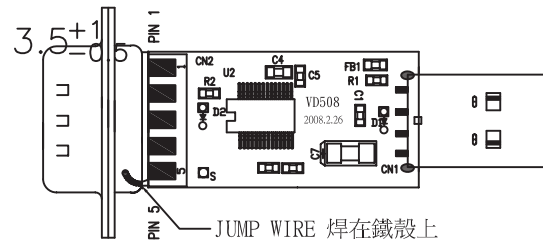
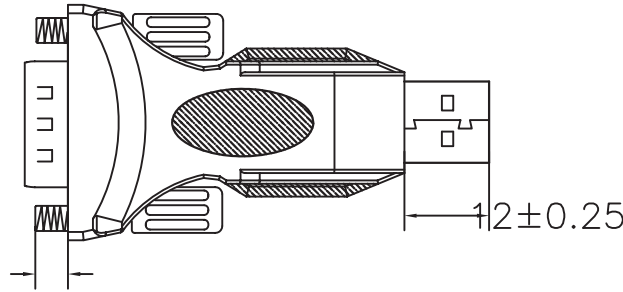
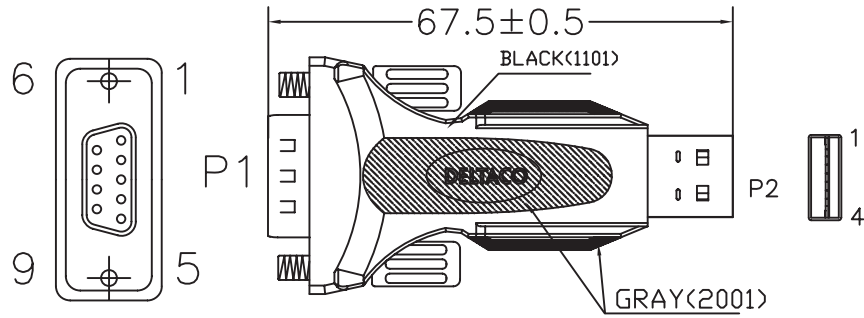


WEIGHT	CUSTOMER NO:	REMARK
59g-L3	UC-232C9	SWEDELTACO AB



PINOUT DIAGRAM:

P1(DB9M)	PCB	PCB	P2(A/M)
1	1	1	1
2	2	2	2
3	3	3	3
4	4	4	4
5	5		
6	6		
7	7		
8	8		
9	9		



3	OUTER JACKET PVC 60Pa GRAY(2001)
2	OUTER JACKET PVC 60Pa BLACK(1101)
1	USB2.0 TO RS232 ADAPTER 環保 PCB

B	201305066	JUNE	2013/06/06
REV.	ECR	DESCRIPTION	C.N. DATE
UNLESS OTHERWISE SPECIFIED: DIMENSIONS ARE IN MILLIMETERS ANGULAR TOLERANCE: ±1.0°		TITLE USB2.0 TO RS232 CONVERTER	
DIMENSIONS	TOLERANCE	CHKD.	CONF.
0.00 TO 30.00mm	±0.10mm		
30.01 TO 80.00mm	±0.13mm	DR.	APPD.
80.01 TO 150.00mm	±0.15mm		
150.01mm	±0.20mm	PART NO.	
MATERIAL		2180-3390	
FINISH		SCALE	SHEET
		UNIT	SIZE
		MM	A4
		REV.	B